

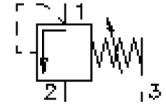
pressure sequence screw-in valve (direct acting, adjustable)

PSV7-10.-.-0-..

MP-740-100-00

(subject to change)

FAT•N



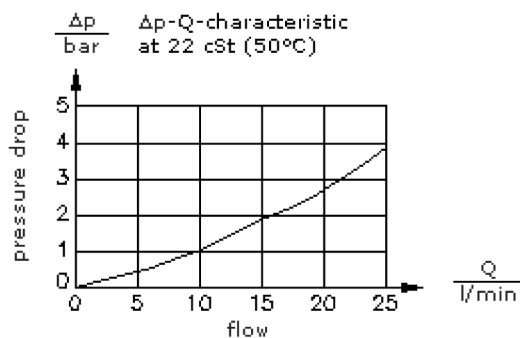
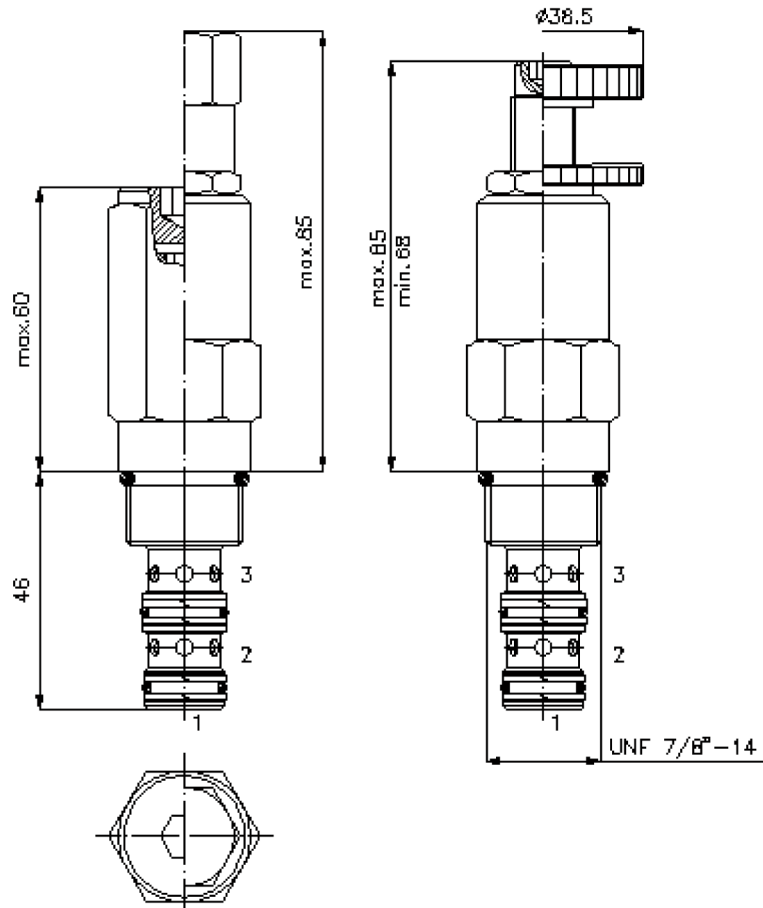
HEX 3/4"

HEX 1"
(torque
cartridge:
48 - 54 Nm)

cavity:
C-10-3
see
data-sheet no.:
[IK-300-109-00](#)

HEX 5/16" ("J")
(HEX 1/4")

HEX 3/16" ("S")



pressure sequence screw-in valve (direct acting, adjustable)

PSV7-10.-.-0-..



Motrac Hydraulik GmbH
Siemensring 87 - D-47877 Willich
fon +49-(0)2154-8162.0 - fax +49-(0)2154-8162.499
e-mail info.miw@motracindustries.com
internet www.motracindustries.com

FAT•N

MP-740-100-00

(subject to change)

Ordering example:

PSV7 - 10N - C - 0 - 12
| | | | |
A **B** **C** **D** **E**

Model code:

- | | |
|---|---|
| <p>A design
pressure sequence valve
spool type valve
direct acting</p> <p>B size and sealing
10N = Buna (NBR)
10V = Viton (FPM)</p> <p>C adjustment
J = internal
S = screw adjustment
C = cap
K = handknob</p> | <p>D construction
0 = screw-in valve</p> <p>E pressure range
02 = 3.5 - 10 bar
03 = 5.0 - 20 bar
05 = 7.0 - 30 bar
10 = 14.0 - 65 bar
18 = 20.0 - 125 bar</p> |
|---|---|

Technical Data:

note:	port "1" max. pressure 125 bar
nominal pressure:	210 bar
nominal flow:	23 l/min
weight:	0.24 kg
temperature range:	-40°C to 120°C
fluids:	hydraulic oil as per DIN 51524 T1 (ISO TC 131)
seals:	optional Buna (NBR) or Viton (FPM), as well as Teflon wascher (PTFE)
cavity:	C-10-3 see datasheet no. IK-300-109-00
housing:	3LH-10.-B.. see datasheet no. IH-300-000-00
seal kit:	SP-MDS-10N-34 (NBR), SP-MDS-10V-34 (FPM)