

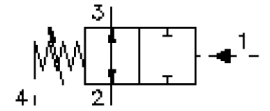
# pressure sequence screw-in valve (direct acting, adjustable)

PSV8-10.-.-0-..

MP-710-100-00

(subject to change)

FAT•N



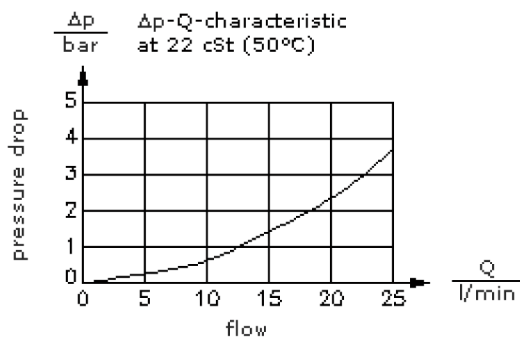
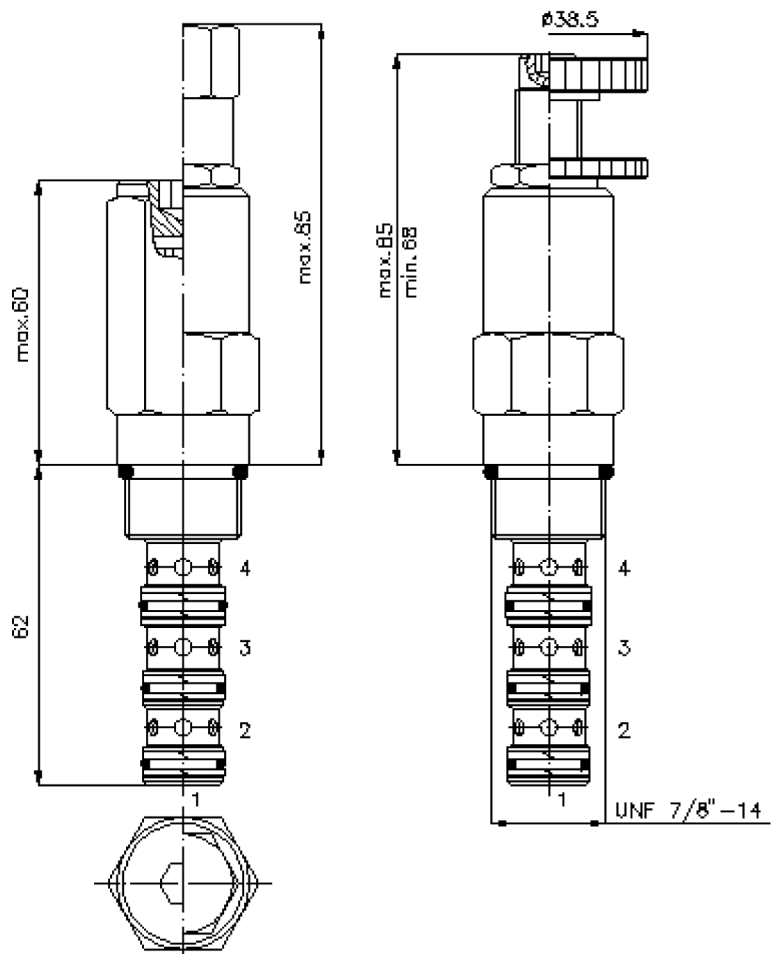
HEX 3/4"

HEX 1"  
(torque  
cartridge:  
48 - 54 Nm)

cavity:  
C-10-4  
see  
data-sheet no.:  
[IK-400-109-00](#)

HEX 5/16" ("J")  
(HEX 1/4")

HEX 3/16" ("S")



# pressure sequence screw-in valve (direct acting, adjustable)

PSV8-10.-.-0-..



Motrac Hydraulik GmbH  
Siemensring 87 - D-47877 Willich  
fon +49-(0)2154-8162.0 - fax +49-(0)2154-8162.499  
e-mail info.miw@motracindustries.com  
internet www.motracindustries.com



MP-710-100-00

(subject to change)

## Ordering example:

PSV8 - 10N - C - 0 - 12  
|        |        |        |        |  
**A**    **B**    **C**    **D**    **E**

## Model code:

**A design**  
pressure-sequence-valve  
spool type valve  
direct acting

**B size and sealing**  
10N = Buna (NBR)  
10V = Viton (FPM)

**C adjustment**  
J = internal  
S = screw adjustment  
C = cap  
K = handknob

**D construction**  
0 = screw-in valve

**E pressure range**  
02 = 3.5 - 14 bar  
04 = 5.0 - 28 bar  
06 = 7.0 - 40 bar  
12 = 14.0 - 80 bar  
24 = 28.0 - 165 bar

## Technical Data:

**note:** max. load of 165 bar at port "1"  
**nominal pressure:** 210 bar  
**nominal flow:** 23 l/min  
**weight:** 0.27 kg  
**temperature range:** -40°C to 120°C  
**fluids:** hydraulic oil as per DIN 51524 T1 (ISO TC 131)  
**seals:** optional Buna (NBR) or Viton (FPM), as well as Teflon wascher (PTFE)  
**cavity:** C-10-4 see datasheet no. [IK-400-109-00](#) Review note!  
**housing:** 4LH-10.-B.. see datasheet no. [IH-400-000-00](#)  
**seal kit:** SP-MDS-10N-46 (NBR), SP-MDS-10V-46 (FPM)