

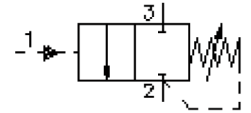
# pressure sequence screw-in valve (direct acting, adjustable)

PSV2-10.-.-0-..

MP-510-100-00

(subject to change)

FAT-N



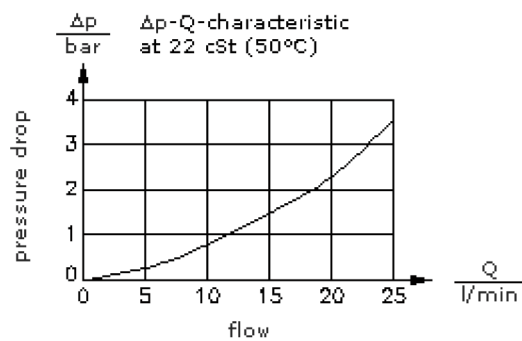
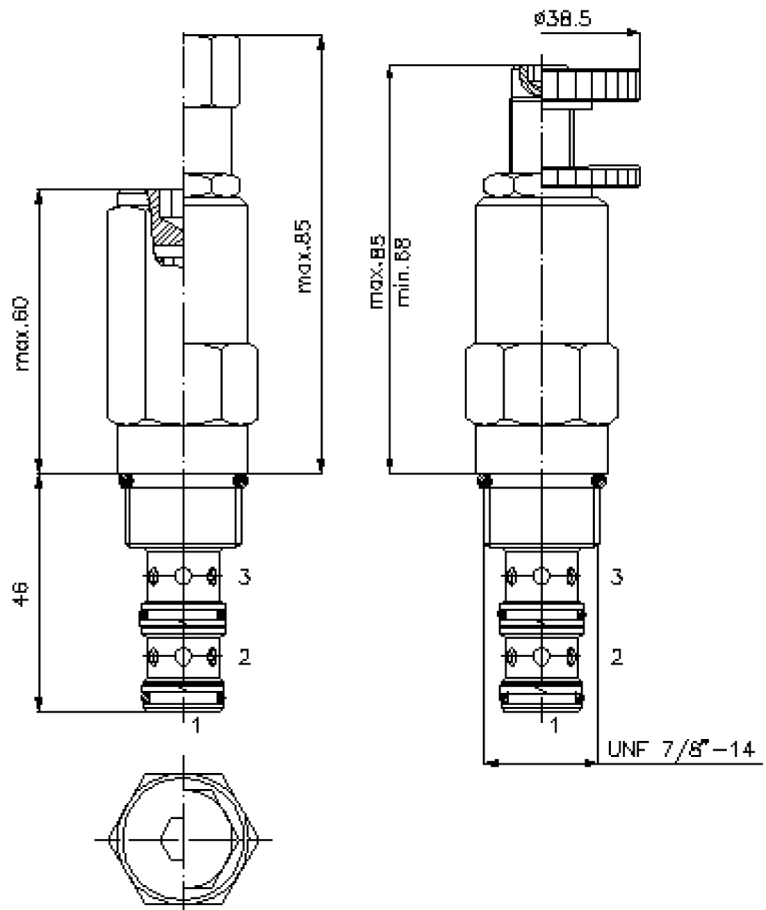
HEX 3/4"

HEX 1"  
(torque  
cartridge:  
48 - 54 Nm)

cavity:  
C-10-3  
see  
data-sheet no.:  
[IK-300-109-00](#)

HEX 5/16" ("J")  
(HEX 1/4")

HEX 3/16" ("S")



# pressure sequence screw-in valve (direct acting, adjustable)

PSV2-10.-.-0-..

MP-510-100-00

(subject to change)

FAT•N

## Ordering example:

PSV2 - 10N - C - 0 - 12  
|        |        |        |        |  
**A**    **B**    **C**    **D**    **E**

## Model code:

- A design**  
pressure-sequence-valve  
spool type valve  
direct acting
- B size and sealing**  
10N = Buna (NBR)  
10V = Viton (FPM)
- C adjustment**  
J = internal  
S = screw adjustment  
C = cap  
K = handknob

- D construction**  
0 = screw-in valve
- E pressure range**  
02 = 3.5 - 14 bar  
06 = 7.0 - 40 bar  
12 = 14.0 - 80 bar  
24 = 30.0 - 165 bar

## Technical Data:

<b>note:</b>	max. load of 165 bar at port "1"
<b>nominal pressure:</b>	210 bar
<b>nominal flow:</b>	23 l/min
<b>weight:</b>	0.24 kg
<b>temperature range:</b>	-40°C to 120°C
<b>fluids:</b>	hydraulic oil as per DIN 51524 T1 (ISO TC 131)
<b>seals:</b>	optional Buna (NBR) or Viton (FPM), as well as Teflon wascher (PTFE)
<b>cavity:</b>	C-10-3 see datasheet no. <a href="#">IK-300-109-00</a>
<b>housing:</b>	3LH-10.-B.. see datasheet no. <a href="#">IH-300-000-00</a>
<b>seal kit:</b>	SP-MDS-10N-32 (NBR), SP-MDS-10V-32 (FPM)