

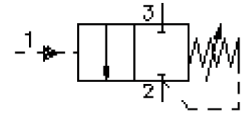
# pressure sequence screw-in valve (direct acting, adjustable)

PSV2-08.-.-0-..

**MP-510-080-00**

(subject to change)

**FAT-N**

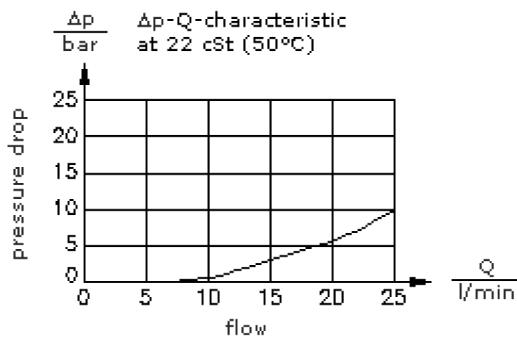
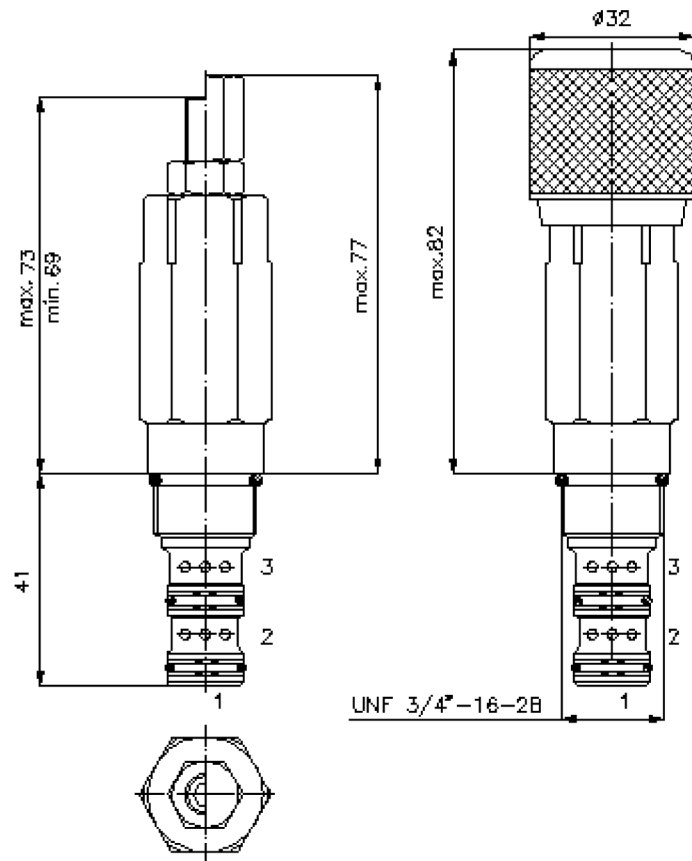


HEX 1/2"

HEX 7/8"  
(torque  
cartridge:  
34 - 40 Nm)

cavity:  
C-08-3  
see  
data-sheet no.:  
[IK-300-089-00](#)

HEX 4 mm



# pressure sequence screw-in valve (direct acting, adjustable)

PSV2-08.-.-0-..



Motrac Hydraulik GmbH  
Siemensring 87 - D-47877 Willich  
fon +49-(0)2154-8162.0 - fax +49-(0)2154-8162.499  
e-mail info.miw@motracindustries.com  
internet www.motracindustries.com

MP-510-080-00

(subject to change)

FAT•N

## Ordering example:

PSV2 - 08N - C - 0 - 30  
|        |        |        |        |  
**A**    **B**    **C**    **D**    **E**

## Model code:

- |  |  |
|--|--|
| <b>A</b> <b>design</b><br>pressure-sequence-valve<br>spool type valve<br>direct acting | <b>D</b> <b>construction</b><br>0 = screw-in valve                         |
| <b>B</b> <b>size and sealing</b><br>08N = Buna (NBR)<br>08V = Viton (FPM)              | <b>E</b> <b>pressure range</b><br>13 = 3.4 - 90 bar<br>30 = 35.0 - 210 bar |
| <b>C</b> <b>adjustment</b><br>S = screw adjustment<br>C = cap<br>K = handknob          |  |

## Technical Data:

<b>nominal pressure:</b>	210 bar
<b>nominal flow:</b>	23 l/min
<b>weight:</b>	0.21 kg
<b>temperature range:</b>	-40°C to 120°C
<b>fluids:</b>	hydraulic oil as per DIN 51524 T1 (ISO TC 131)
<b>max. leakage:</b>	85 ccm/min. at 22 cSt (50°C) and 210 bar
<b>seals:</b>	optional Buna (NBR) or Viton (FPM), as well as Teflon wascher (PTFE)
<b>cavity:</b>	C-08-3 see datasheet no. <a href="#">IK-300-089-00</a>
<b>housing:</b>	3LH-08.-B.. see datasheet no. <a href="#">IH-300-000-00</a>
<b>seal kit:</b>	SP-MDS-08N-34 (NBR), SP-MDS-08V-34 (FPM)