

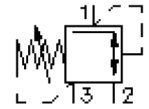
3-way pressure reducing screw-in valve (direkt acting, adjustable)

PRV1-10.-.-0-..

MP-210-100-00

(subject to change)

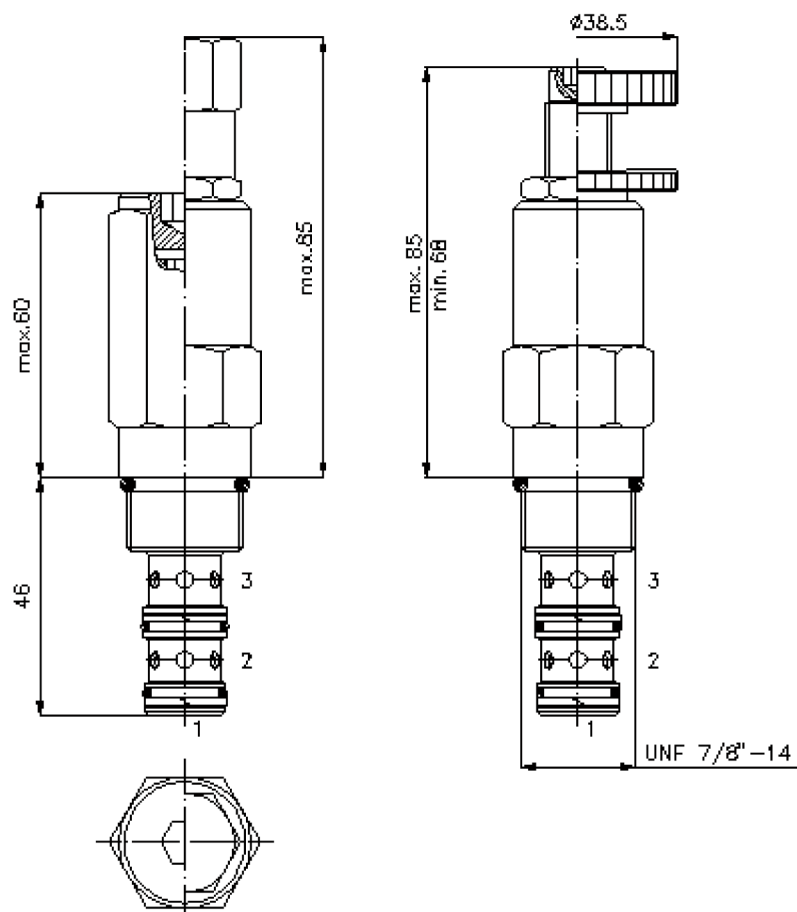
FAT•N



HEX 3/4"

HEX 1"
(torque
cartridge:
48 - 54 Nm)

cavity:
C-10-3
see
data-sheet no.:
[IK-300-109-00](#)



$\frac{\Delta p}{\text{bar}}$ Δp -Q-characteristic
at 22 cSt (50°C)



relieving 1>3

reducing 2>1

3-way pressure reducing screw-in valve (direkt acting, adjustable)

PRV1-10.-.-0-..

MP-210-100-00

(subject to change)

FAT•N

Ordering example:

PRV1 - 10N - C - 0 - 12

| | | | | |
|---|---|---|---|---|
| | | | | |
| A | B | C | D | E |

Model code:

- | | |
|---|---|
| <p>A design pressure regulator valve spool type valve direct acting</p> <p>B size and sealing 10N = Buna (NBR) 10V = Viton (FPM)</p> <p>C adjustment J = internal S = screw adjustment C = cap K = handknob</p> | <p>D construction 0 = screw-in valve</p> <p>E pressure range 02 = 3.5 - 14 bar 06 = 7.0 - 40 bar 12 = 14.0 - 85 bar 24 = 30.0 - 165 bar</p> |
|---|---|

Technical Data:

| | |
|---------------------------|--|
| nominal pressure: | 165 bar |
| nominal flow: | 15 l/min |
| weight: | 0.24 kg |
| temperature range: | -40°C to 120°C |
| fluids: | hydraulic oil as per DIN 51524 T1 (ISO TC 131) |
| seals: | optional Buna (NBR) or Viton (FPM), as well as Teflon wascher (PTFE) |
| cavity: | C-10-3 see datasheet no. IK-300-109-00 |
| housing: | 3LH-10.-B.. see datasheet no. IH-300-000-00 |
| seal kit: | SP-MDS-10N-32 (NBR), SP-MDS-10V-32 (FPM) |