

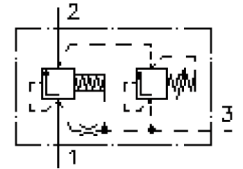
pressure relief valve, screw-in type (with external pilot port)

VRV11-12.-.-0-..

MP-190-120-00

(subject to change)

FAT-N

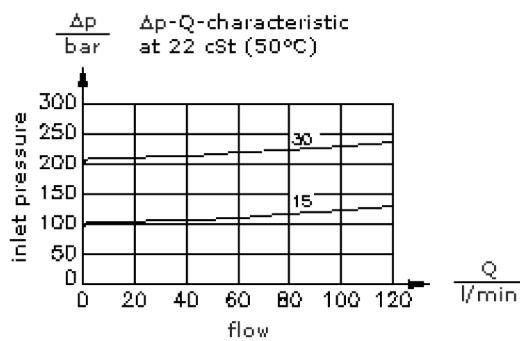
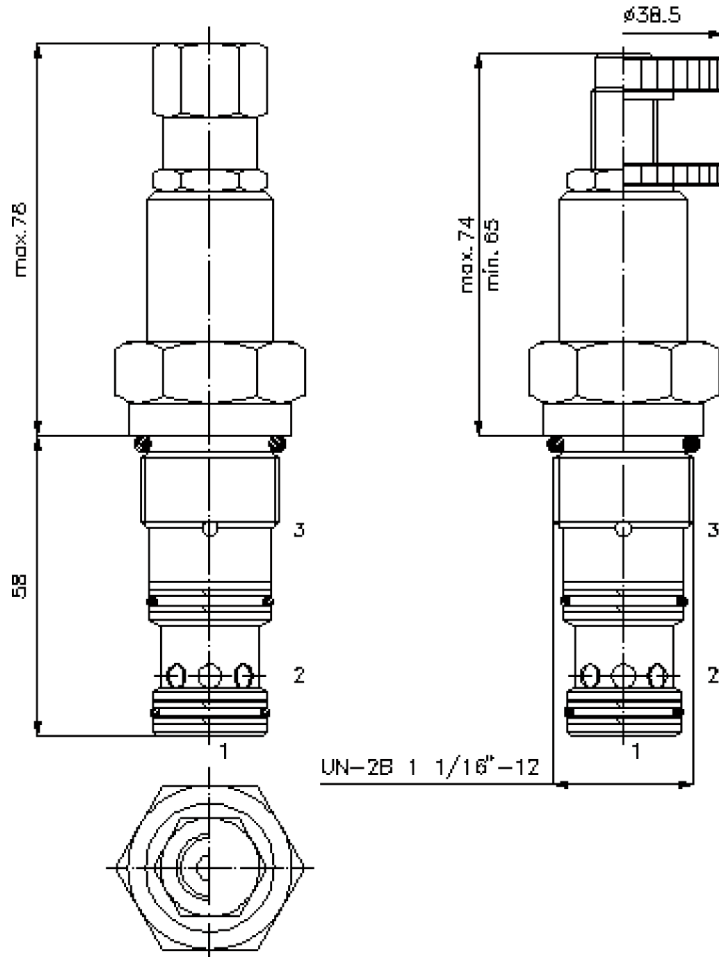


HEX 3/4"

HEX 1 1/4"
(torque
cartridge:
85 - 94 Nm)

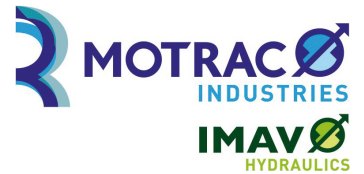
cavity:
C-12-2
see
data-sheet no.:
[IK-100-129-00](#)

HEX 3/16"



pressure relief valve, screw-in type (with external pilot port)

VRV11-12.-.-0-..



Motrac Hydraulik GmbH
Siemensring 87 - D-47877 Willich
fon +49-(0)2154-8162.0 - fax +49-(0)2154-8162.499
e-mail info.miw@motracindustries.com
internet www.motracindustries.com

FAT•N

MP-190-120-00

(subject to change)

Ordering example:

VRV11 - 12N - C - 0 - 30
| | | | |
A **B** **C** **D** **E**

Model code:

- | | |
|-------------------------------------------------------------------------------|-----------------------------------------------------------------------------|
| A design
relief-valve
spool type valve
pilot operated | D construction
0 = screw-in valve |
| B size and sealing
12N = Buna (NBR)
12V = Viton (FPM) | E pressure range
15 = 5.0 - 100 bar
30 = 10.0 - 210 bar |
| C adjustment
S = screw adjustment
C = cap
K = handknob | |

Technical Data:

nominal pressure:	210 bar
nominal flow:	114 l/min
weight:	0.4 kg
temperature range:	-40°C to 120°C
fluids:	hydraulic oil as per DIN 51524 T1 (ISO TC 131)
max. leakage:	82 ccm/min at 22 cSt (50°C) and 80% crack pressure
seals:	optional Buna (NBR) or Viton (FPM), as well as Teflon wascher (PTFE)
cavity:	C-12-3S see datasheet no. IK-200-129-00
housing:	3SLH-12.-B.. see datasheet no. IH-200-000-00
seal kit:	SP-MDS-12N-34S (NBR), SP-MDS-12V-34S (FPM)