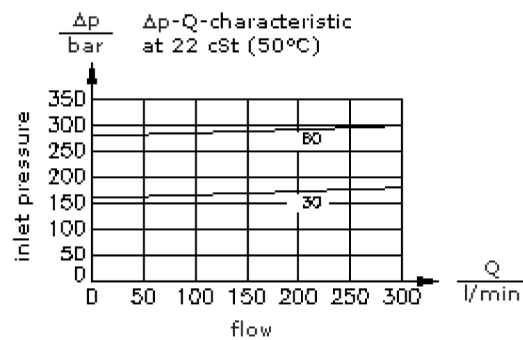
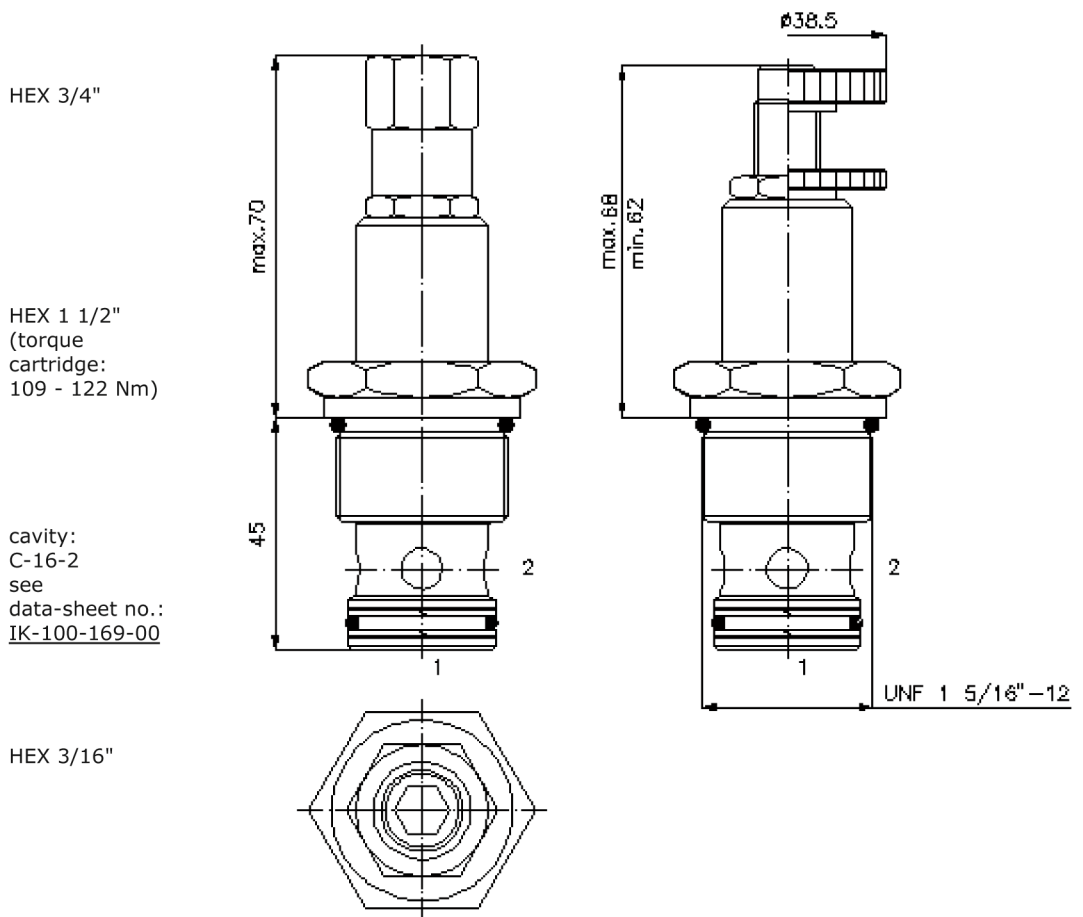
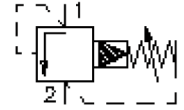


# pressure relief valve, screw-in type (pilot operated, adjustable)

RV5-16.-.-0-..

MP-170-161-00

(subject to change)



# pressure relief valve, screw-in type (pilot operated, adjustable)

RV5-16.-.-0-..



Motrac Hydraulik GmbH  
Siemensring 87 - D-47877 Willich  
fon +49-(0)2154-8162.0 - fax +49-(0)2154-8162.499  
e-mail info.miw@motracindustries.com  
internet www.motracindustries.com

FAT•N

MP-170-161-00

(subject to change)

## Ordering example:

RV5 - 16N - C - 0 - 30  
|        |        |        |        |  
**A**    **B**    **C**    **D**    **E**

## Model code:

- |   |  |
|---|--|
| <b>A</b> <b>design</b><br>relief-valve<br>spool type valve<br>pilot operated  | <b>D</b> <b>construction</b><br>0 = screw-in valve                           |
| <b>B</b> <b>size and sealing</b><br>16N = Buna (NBR)<br>16V = Viton (FPM)     | <b>E</b> <b>pressure range</b><br>30 = 34.0 - 210 bar<br>60 = 70.0 - 415 bar |
| <b>C</b> <b>adjustment</b><br>S = screw adjustment<br>C = cap<br>K = handknob |  |

## Technical Data:

<b>nominal pressure:</b>	350 bar
<b>nominal flow:</b>	303 l/min
<b>weight:</b>	0.71 kg
<b>temperature range:</b>	-40°C to 120°C
<b>fluids:</b>	hydraulic oil as per DIN 51524 T1 (ISO TC 131)
<b>max. leakage:</b>	164 ccm/min at 22 cSt (50°C) and 350 bar
<b>seals:</b>	optional Buna (NBR) or Viton (FPM), as well as Teflon wascher (PTFE)
<b>cavity:</b>	C-16-2 see datasheet no. <a href="#">IK-100-169-00</a>
<b>housing:</b>	2LH-16.-B.. see datasheet no. <a href="#">IH-100-000-00</a>
<b>seal kit:</b>	SP-MDS-16N-22 (NBR), SP-MDS-16V-22 (FPM)