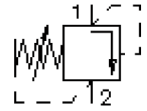


# pressure relief valve, screw-in type (direct acting, adjustable)

RV1-10.-.-0-..

MP-100-100-00

(subject to change)



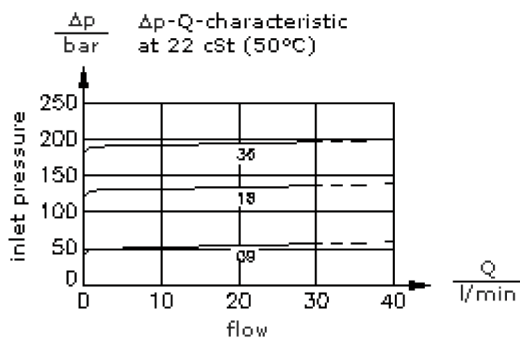
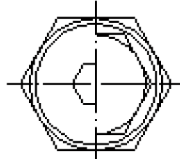
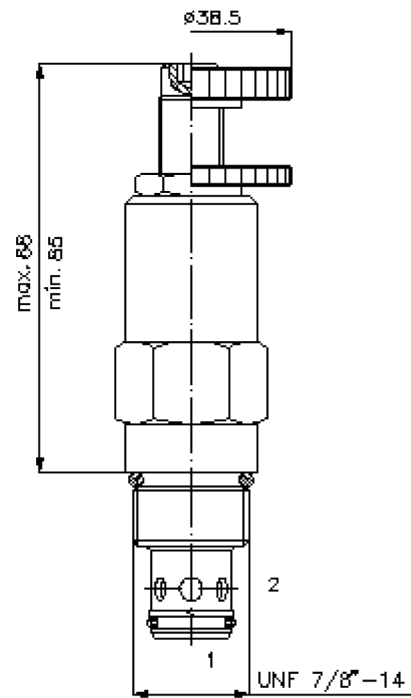
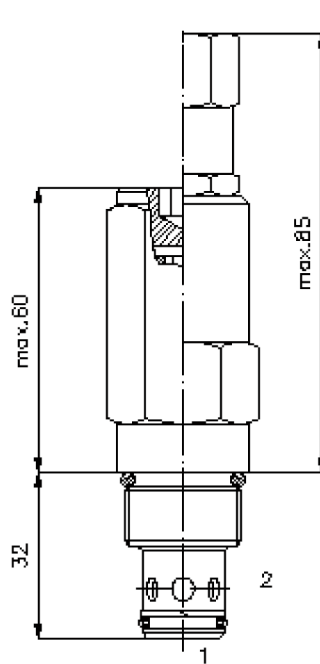
HEX 3/4"

HEX 1"  
(torque  
cartridge:  
48 - 54 Nm)

cavity:  
C-10-2  
see  
data-sheet no.:  
IK-100-109-00

HEX 5/16" ("J")  
(HEX 1/4")

HEX 3/16" ("S")



# pressure relief valve, screw-in type (direct acting, adjustable)

RV1-10.-.-0-..



Motrac Hydraulik GmbH  
Siemensring 87 - D-47877 Willich  
fon +49-(0)2154-8162.0 - fax +49-(0)2154-8162.499  
e-mail info.miw@motracindustries.com  
internet www.motracindustries.com

FAT•N

MP-100-100-00

(subject to change)

## Ordering example:

RV1 - 10N - C - 0 - 36  
|     |     |     |     |  
**A**   **B**   **C**   **D**   **E**

## Model code:

**A**

### design

relief-valve  
poppet type valve  
direct acting

**B**

### size and sealing

10N = Buna (NBR)  
10V = Viton (FPM)

**C**

### adjustment

J = internal  
S = screw adjustment  
C = cap  
K = handknob

**D**

### construction

0 = screw-in valve

**E**

### pressure range

03 = 3.5 - 20 bar  
09 = 7.0 - 62 bar  
18 = 17.0 - 124 bar  
30 = 34.0 - 210 bar  
36 = 34.0 - 250 bar

## Technical Data:

<b>nominal pressure:</b>	210 bar
<b>nominal flow:</b>	30 l/min
<b>weight:</b>	0.22 kg
<b>temperature range:</b>	-40°C to 120°C
<b>fluids:</b>	hydraulic oil as per DIN 51524 T1 (ISO TC 131)
<b>max. leakage:</b>	5 drops/min at 22 cSt (50°C) and 80% crack pressure
<b>seals:</b>	optional Buna (NBR) or Viton (FPM), as well as Teflon wascher (PTFE)
<b>cavity:</b>	C-10-2 see datasheet no. <a href="#">IK-100-109-00</a>
<b>housing:</b>	2LH-10.-B.. see datasheet no. <a href="#">IH-100-000-00</a>
<b>seal kit:</b>	SP-MDS-10N-21 (NBR), SP-MDS-10V-21 (FPM)