

# 2 way, 2 position logic spool valve type "R"

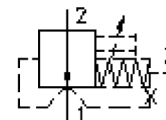
DPS2-16.-R-.-0-...-...



Motrac Hydraulik GmbH  
Siemensring 87 - D-47877 Willich  
fon +49-(0)2154-8162.0 - fax +49-(0)2154-8162.499  
e-mail info.mhw@motracindustries.com  
internet www.motracindustries.com

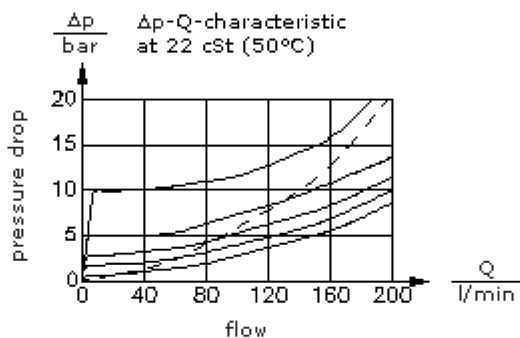
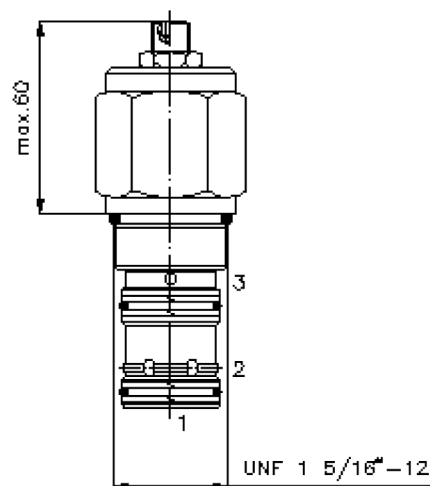
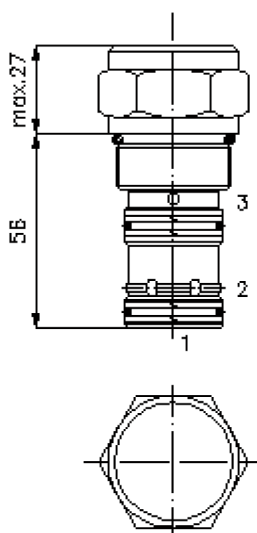
MD-750-163-00

(subject to change)



HEX 1 1/2"  
(torque  
cartridge:  
109 - 122 Nm)

cavity:  
C-16-3S  
see  
data-sheet no.:  
[IK-200-169-00](#)



# 2 way, 2 position logic spool valve type "R"

DPS2-16.-R-.0-....

MD-750-163-00

(subject to change)

FAT•N

## Ordering example:

DPS2 - 16N - R - F - 0 - 040 - AA  
|        |        |        |        |        |        |  
**A**    **B**    **C**    **D**    **E**    **F**    **G**

## Model code:

- |   |  |
|---|--|
| <p><b>A</b> <b>design</b><br/>logic valve</p> <p><b>B</b> <b>size and sealing</b><br/>16N = Buna (NBR)<br/>16V = Viton (FPM)</p> <p><b>C</b> <b>spool type</b><br/>R = pressure reducing<br/>base position open</p> <p><b>D</b> <b>adjustment</b><br/>F = fixed</p> <p><b>E</b> <b>construction</b><br/>0 = screw-in valve</p> <p><b>F</b> <b>crack pressure</b><br/>005 = 0.3 bar<br/>010 = 0.7 bar<br/>020 = 1.4 bar<br/>040 = 2.8 bar<br/>080 = 5.5 bar<br/>160 = 11.0 bar</p> | <p><b>G</b> <b>function mode</b><br/>00 = 210 bar variant<br/>AA = 350 bar variant</p> |
|---|--|

## Technical Data:

|                           |  |
|---------------------------|--|
| <b>nominal pressure:</b>  | 290 bar  |
| <b>nominal flow:</b>      | 189 l/min  |
| <b>weight:</b>            | 0.35 kg  |
| <b>temperature range:</b> | -40°C to 120°C   |
| <b>fluids:</b>            | hydraulic oil as per DIN 51524 T1 (ISO TC 131)                       |
| <b>max. leakage:</b>      | 85 ccm/min at 22 cSt (50°C) and 350 bar                              |
| <b>seals:</b>             | optional Buna (NBR) or Viton (FPM), as well as Teflon wascher (PTFE) |
| <b>pilot ratio:</b>       | 1 : 1  |
| <b>cavity:</b>            | C-16-3S see datasheet no. <a href="#">IK-200-169-00</a>              |
| <b>housing:</b>           | 3SLH-16.-B.. see datasheet no. <a href="#">IH-200-000-00</a>         |
| <b>seal kit:</b>          | SP-MDS-16N-34S (NBR), SP-MDS-16V-34S (FPM)                           |