

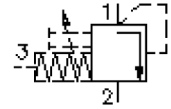
2 way, 2 position logic spool valve type "P"

DPS2-16.-P-.-0-...-..

MD-750-162-00

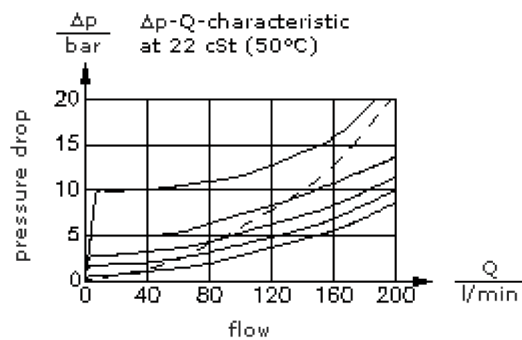
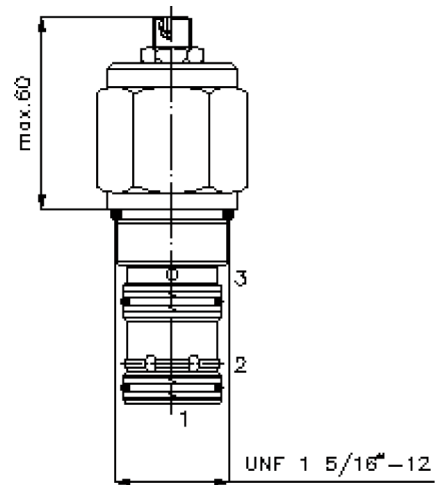
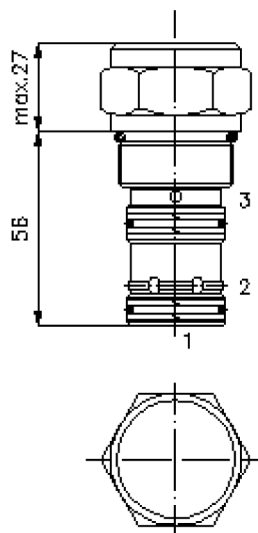
(subject to change)

FAT-N



HEX 1 1/2"
(torque
cartridge:
109 - 122 Nm)

cavity:
C-16-3S
see
data-sheet no.:
IK-200-169-00



2 way, 2 position logic spool valve type "P"

DPS2-16.-P-.-0-....

MD-750-162-00

(subject to change)

FAT•N

Ordering example:

DPS2 - 16N - P - F - 0 - 040 - AA
| | | | | | |
A **B** **C** **D** **E** **F** **G**

Model code:

- | | |
|--|---|
| A design
logic valve | F crack pressure
005 = 0.3 bar
010 = 0.7 bar
020 = 1.4 bar
040 = 2.8 bar
080 = 5.5 bar
160 = 11.0 bar |
| B size and sealing
16N = Buna (NBR)
16V = Viton (FPM) | G function mode
00 = 210 bar variant
AA = 350 bar variant |
| C spool type
P = load sensing Element
base position closed | |
| D adjustment
F = fixed
S = stroke limiter | |
| E construction
0 = screw-in valve | |

Technical Data:

nominal pressure:	290 bar
nominal flow:	189 l/min
weight:	0.35 kg
temperature range:	-40°C to 120°C
fluids:	hydraulic oil as per DIN 51524 T1 (ISO TC 131)
max. leakage:	85 ccm/min at 22 cSt (50°C) and 350 bar
seals:	optional Buna (NBR) or Viton (FPM), as well as Teflon wascher (PTFE)
pilot ratio:	1 : 1
cavity:	C-16-3S see datasheet no. IK-200-169-00
housing:	3SLH-16.-B.. see datasheet no. IH-200-000-00
seal kit:	SP-MDS-16N-34S (NBR), SP-MDS-16V-34S (FPM)