

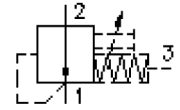
# 2 way, 2 position logic spool valve type "F"

DPS2-16.-F--0-...-

MD-750-161-00

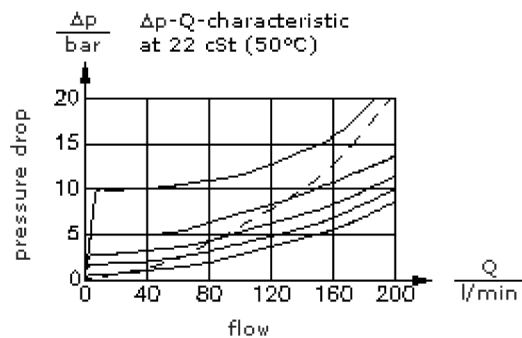
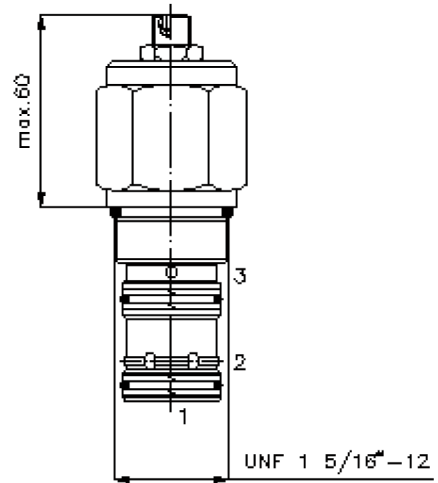
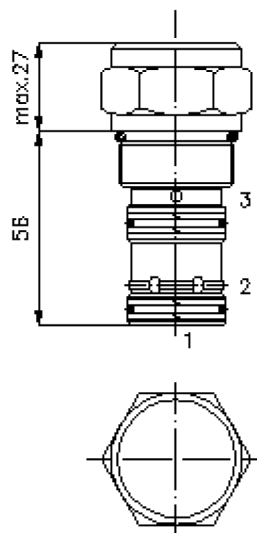
(subject to change)

**FAT-N**



HEX 1 1/2"  
(torque  
cartridge:  
109 - 122 Nm)

cavity:  
C-16-3S  
see  
data-sheet no.:  
[IK-200-169-00](#)



# 2 way, 2 position logic spool valve type "F"

DPS2-16.-F.-0-....

MD-750-161-00

(subject to change)

FAT•N

## Ordering example:

DPS2 - 16N - F - F - 0 - 040 - AA  
|        |        |        |        |        |        |  
**A**    **B**    **C**    **D**    **E**    **F**    **G**

## Model code:

- |   |  |
|---|--|
| <p><b>A</b> <b>design</b><br/>logic valve</p> <p><b>B</b> <b>size and sealing</b><br/>16N = Buna (NBR)<br/>16V = Viton (FPM)</p> <p><b>C</b> <b>spool type</b><br/>F = flow regulation (hydrostatic)<br/>base position open</p> <p><b>D</b> <b>adjustment</b><br/>F = fixed</p> <p><b>E</b> <b>construction</b><br/>0 = screw-in valve</p> <p><b>F</b> <b>crack pressure</b><br/>005 = 0.3 bar<br/>010 = 0.7 bar<br/>020 = 1.4 bar<br/>040 = 2.8 bar<br/>080 = 5.5 bar<br/>160 = 11.0 bar</p> | <p><b>G</b> <b>function mode</b><br/>00 = 210 bar variant<br/>AA = 350 bar variant</p> |
|---|--|

## Technical Data:

<b>nominal pressure:</b>	290 bar
<b>nominal flow:</b>	189 l/min
<b>weight:</b>	0.35 kg
<b>temperature range:</b>	-40°C to 120°C
<b>fluids:</b>	hydraulic oil as per DIN 51524 T1 (ISO TC 131)
<b>max. leakage:</b>	85 ccm/min at 22 cSt (50°C) and 350 bar
<b>seals:</b>	optional Buna (NBR) or Viton (FPM), as well as Teflon wascher (PTFE)
<b>pilot ratio:</b>	1 : 1
<b>cavity:</b>	C-16-3S see datasheet no. <a href="#">IK-200-169-00</a>
<b>housing:</b>	3SLH-16.-B.. see datasheet no. <a href="#">IH-200-000-00</a>
<b>seal kit:</b>	SP-MDS-16N-34S (NBR), SP-MDS-16V-34S (FPM)