

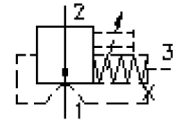
2 way, 2 position logic spool valve type "R"

DPS2-10.-R-.-0-...-..

MD-750-103-00

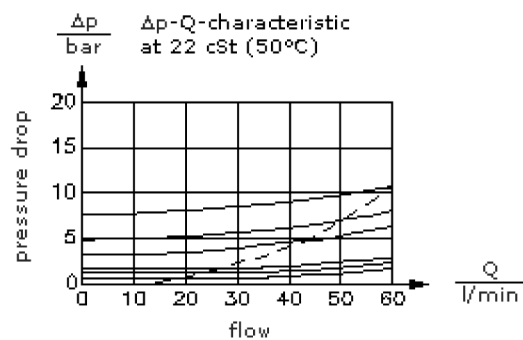
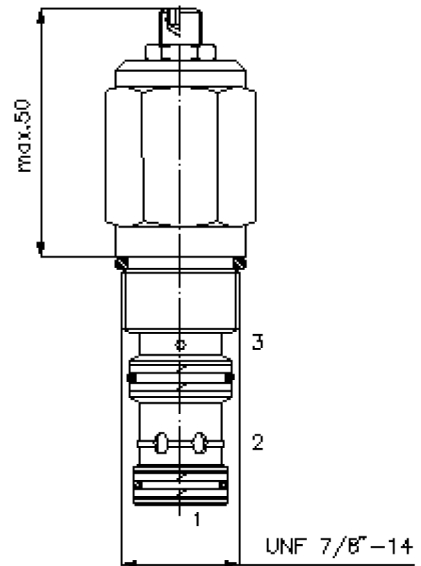
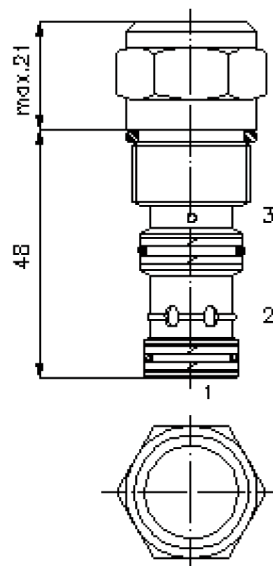
(subject to change)

FAT•N



HEX 1"
(torque
cartridge:
48 - 54 Nm)

cavity:
C-10-3S
see
data-sheet no.:
[IK-200-109-00](#)



2 way, 2 position logic spool valve type "R"

DPS2-10.-R-.0-....

MD-750-103-00

(subject to change)

FAT•N

Ordering example:

DPS2 - 10N - R - F - 0 - 040 - AA



Model code:

- | | |
|---|---|
| <p>A design
logic valve</p> <p>B size and sealing
10N = Buna (NBR)
10V = Viton (FPM)</p> <p>C spool type
R = pressure reducing
base position open</p> <p>D adjustment
F = fixed</p> <p>E construction
0 = screw-in valve</p> <p>F crack pressure
005 = 0.3 bar
010 = 0.7 bar
020 = 1.4 bar
040 = 2.8 bar
080 = 5.5 bar
160 = 11.0 bar</p> | <p>G function mode
00 = 210 bar variant
AA = 350 bar variant</p> |
|---|---|

Technical Data:

nominal pressure:	290 bar
nominal flow:	60 l/min
weight:	0.14 kg
temperature range:	-40°C to 120°C
fluids:	hydraulic oil as per DIN 51524 T1 (ISO TC 131)
max. leakage:	85 ccm/min at 22 cSt (50°C) and 350 bar
seals:	optional Buna (NBR) or Viton (FPM), as well as Teflon wascher (PTFE)
pilot ratio:	1 : 1
cavity:	C-10-3S see datasheet no. IK-200-109-00
housing:	3SLH-10.-B.. see datasheet no. IH-200-000-00
seal kit:	SP-MDS-10N-34S (NBR), SP-MDS-10V-34S (FPM)