

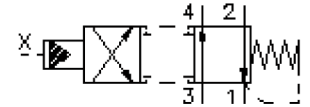
4 way, 2 position screw-in valve (with external port)

PTS6-10.-0-...

MD-590-100-00

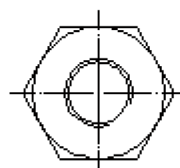
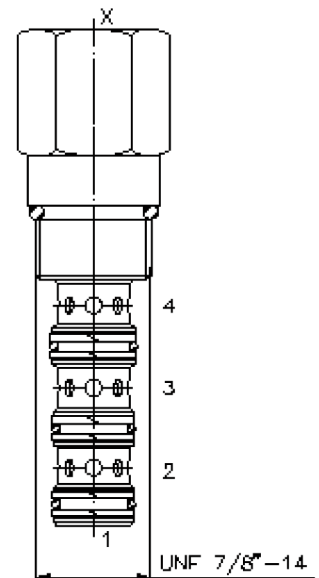
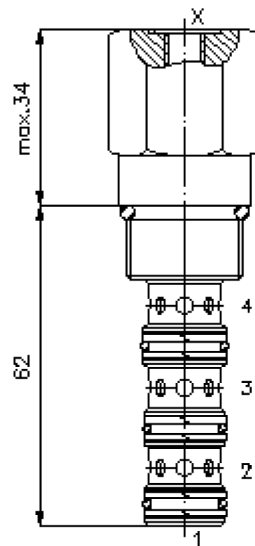
(subject to change)

FAT•N

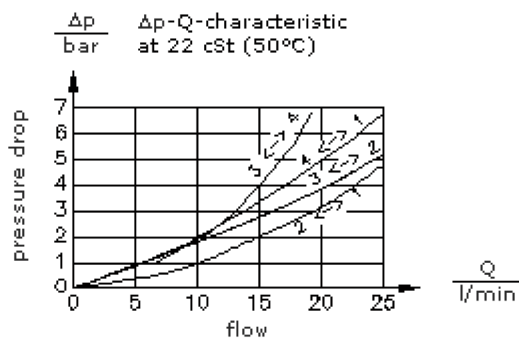


HEX 1"
(torque
cartridge:
48 - 54 Nm)

cavity: C-10-4
see
data-sheet no.:
[IK-400-109-00](#)



port X



4 way, 2 position screw-in valve (with external port)

PTS6-10.-0-...



Motrac Hydraulik GmbH
Siemensring 87 - D-47877 Willich
fon +49-(0)2154-8162.0 - fax +49-(0)2154-8162.499
e-mail info.mhw@motracindustries.com
internet www.motracindustries.com

FAT•N

MD-590-100-00

(subject to change)

Ordering example:

PTS6 - 10N - 0 - 060



Model code:

- | | |
|---|--|
| A design
directional valve
hydraulic release | C construction
0 = screw-in valve |
| B size and sealing
10N = Buna (NBR)
10V = Viton (FPM) | D crack pressure
060 = 4.1 bar |

Technical Data:

note:	Pilot oil must be higher than crack pressure + pressure at port 1.
nominal pressure:	210 bar
nominal flow:	23 l/min
weight:	0.15 kg
temperature range:	-40°C to 120°C
fluids:	hydraulic oil as per DIN 51524 T1 (ISO TC 131)
max. leakage:	165 ccm/min at 22 cSt (50°C) and 210 bar
seals:	optional Buna (NBR) or Viton (FPM), as well as Teflon wascher (PTFE)
cavity:	C-10-4 see datasheet no. IK-400-109-00 Review note!
housing:	4LH-10.-B.. see datasheet no. IH-400-000-00
seal kit:	SP-MDS-10N-46 (NBR), SP-MDS-10V-46 (FPM)