

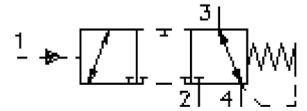
3 way, 2 position screw-in valve center-position 3 with 4 connected

PTS3-16.-0-...

MD-550-160-00

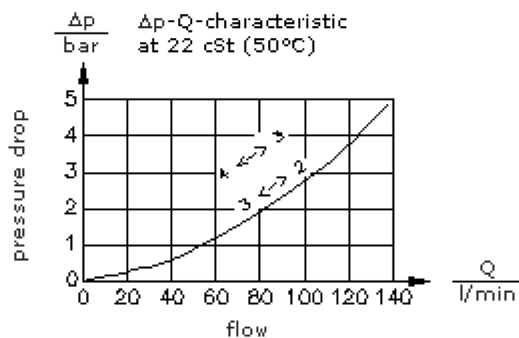
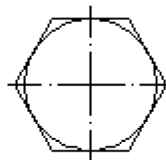
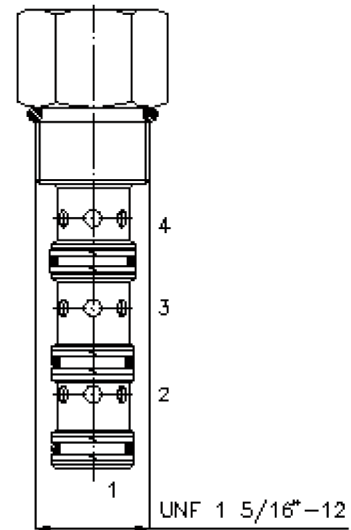
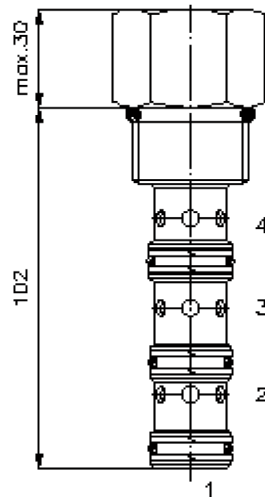
(subject to change)

FAT•N



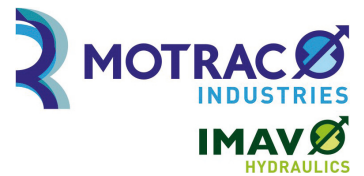
HEX 1 1/2"
(torque
cartridge:
109 - 122 Nm)

cavity:
C-16-4
see
data-sheet no.:
[IK-400-169-00](#)



3 way, 2 position screw-in valve center-position 3 with 4 connected

PTS3-16.-0-...



Motrac Hydraulik GmbH
Siemensring 87 - D-47877 Willich
fon +49-(0)2154-8162.0 - fax +49-(0)2154-8162.499
e-mail info.mhw@motracindustries.com
internet www.motracindustries.com

FAT•N

MD-550-160-00

(subject to change)

Ordering example:

PTS3 - 16N - 0 - 080
| | | |
A **B** **C** **D**

Model code:

- | | |
|---|--|
| A design
directional valve
hydraulic release | C construction
0 = screw-in valve |
| B size and sealing
16N = Buna (NBR)
16V = Viton (FPM) | D crack pressure
040 = 2.8 bar
080 = 5.5 bar
160 = 11.0 bar |

Technical Data:

note:	Pilot oil must be higher than crack pressure + pressure at port 4.
nominal pressure:	210 bar
nominal flow:	132 l/min
weight:	0.5 kg
temperature range:	-40°C to 120°C
fluids:	hydraulic oil as per DIN 51524 T1 (ISO TC 131)
max. leakage:	165 ccm/min at 22 cSt (50°C) and 210 bar
seals:	optional Buna (NBR) or Viton (FPM), as well as Teflon wascher (PTFE)
cavity:	C-16-4 see datasheet no. IK-400-169-00
housing:	4LH-16.-B.. see datasheet no. IH-400-000-00
seal kit:	SP-MDS-16N-46 (NBR), SP-MDS-16V-46 (FPM)