

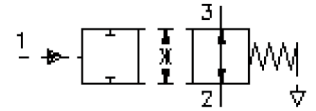
2 way, 2 position screw-in valve vented spring

PTS7-10.-0-...

MD-500-100-00

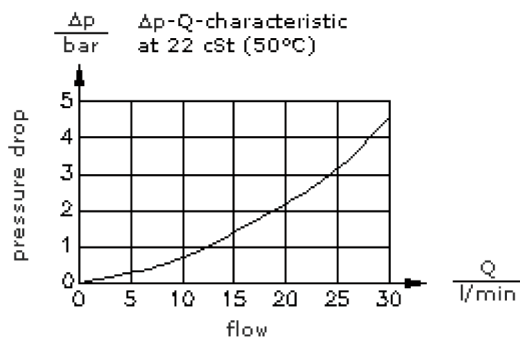
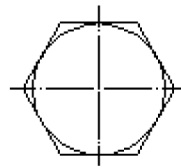
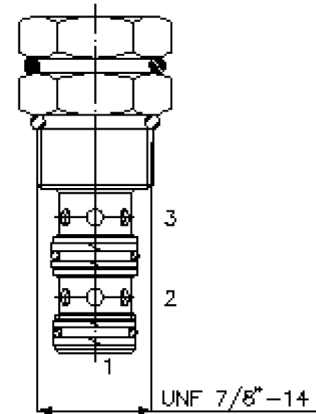
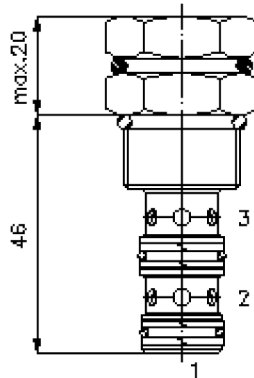
(subject to change)

FAT-N



HEX 1"
(torque
cartridge:
48 - 54 Nm)

cavity:
C-10-3
see
data-sheet no.:
[IK-300-109-00](#)



2 way, 2 position screw-in valve vented spring

PTS7-10.-0-...



Motrac Hydraulik GmbH
Siemensring 87 - D-47877 Willich
fon +49-(0)2154-8162.0 - fax +49-(0)2154-8162.499
e-mail info.mhw@motracindustries.com
internet www.motracindustries.com

MD-500-100-00

(subject to change)

FAT•N

Ordering example:

PTS7 - 10N - 0 - 080
| | | |
A **B** **C** **D**

Model code:

- | | |
|---|--|
| A design
directional valve
hydraulic release | C construction
0 = screw-in valve |
| B size and sealing
10N = Buna (NBR)
10V = Viton (FPM) | D crack pressure
040 = 2.8 bar
080 = 5.5 bar
160 = 11.0 bar |

Technical Data:

note:	Pilot oil must be higher than crack pressure.
nominal pressure:	210 bar
nominal flow:	30 l/min
weight:	0.1 kg
temperature range:	-40°C to 120°C
fluids:	hydraulic oil as per DIN 51524 T1 (ISO TC 131)
max. leakage:	165 ccm/min at 22 cSt (50°C) and 210 bar
seals:	optional Buna (NBR) or Viton (FPM), as well as Teflon wascher (PTFE)
cavity:	C-10-3 see datasheet no. IK-300-109-00
housing:	3LH-10.-B.. see datasheet no. IH-300-000-00
seal kit:	SP-MDS-10N-44-S (NBR), SP-MDS-10V-44-S (FPM)