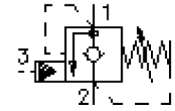


counterbalance valve, screw-in type (adjustable)

CBV.-10.-.-0-.-..

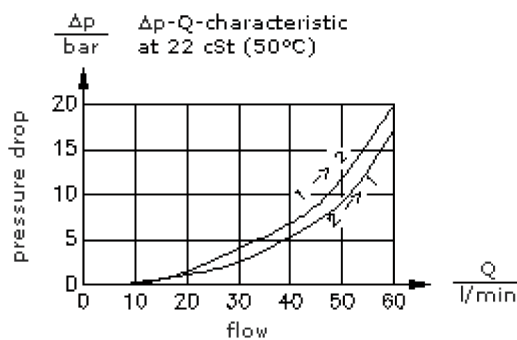
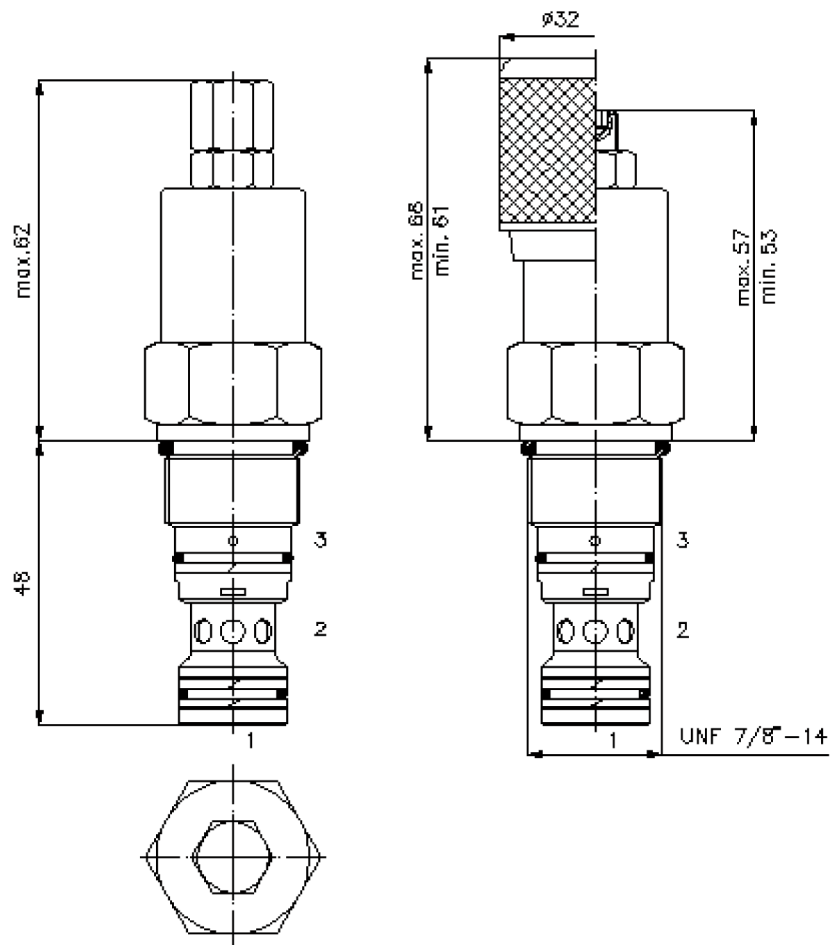


HEX 1/2"

HEX 1"
(torque
cartridge:
48 - 54 Nm)

cavity:
C-10-3S
see
data-sheet no.:
[IK-200-109-00](#)

HEX 4 mm



counterbalance valve, screw-in type (adjustable)

CBV.-10.-.-0-.-..



Motrac Hydraulik GmbH
Siemensring 87 - D-47877 Willich
fon +49-(0)2154-8162.0 - fax +49-(0)2154-8162.499
e-mail info.miw@motracindustries.com
internet www.motracindustries.com

MC-410-101-00

(subject to change)

FAT•N

Ordering example:

CBV 1 - 10N - C - 0 - A - 50
| | | | | |
A **B** **C** **D** **E** **F** **G**

Model code:

A **design**
counter balance valve

B **pilot ratio**
1 = 4 : 1
2 = 10 : 1

C **size and sealing**
10N = Buna (NBR)
10V = Viton (FPM)

D **adjustment**
S = screw adjustment
C = cap
K = handknob

E **construction**
0 = screw-in valve

F **check valve free flow crack pressure**
A = 1.4 bar
B = 0.28 bar

G **pressure range**
30 = 62.0 - 210 bar
50 = 186.0 - 350 bar

Technical Data:

note: left turn (counter clockwise) = increasing pressure
right turn (clockwise) = reducing pressure

nominal pressure: 350 bar

nominal flow: 60 l/min

weight: 0.23 kg

temperature range: -40°C to 120°C

fluids: hydraulic oil as per DIN 51524 T1 (ISO TC 131)

max. leakage: 5 drops/min at 22 cSt (50°C) and 77% crack pressure

seals: optional Buna (NBR) or Viton (FPM), as well as Teflon wascher (PTFE)

cavity: C-10-3S see datasheet no. [IK-200-109-00](#)

housing: 3SLH-10.-B.. see datasheet no. [IH-200-000-00](#)

seal kit: SP-MDS-10N-33S (NBR), SP-MDS-10V-33S (FPM)