

# counterbalance valve CETOP 3 ((sandwich plate) in A+B (vented spring))

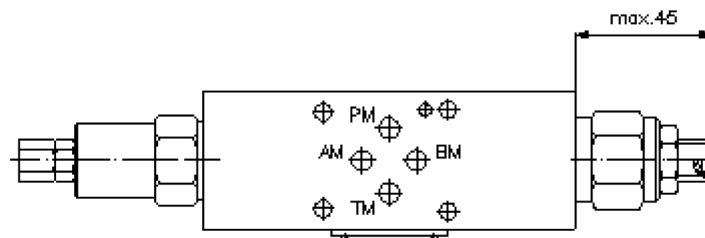
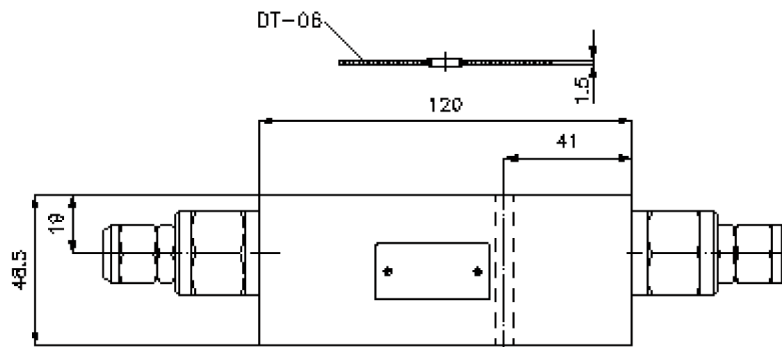
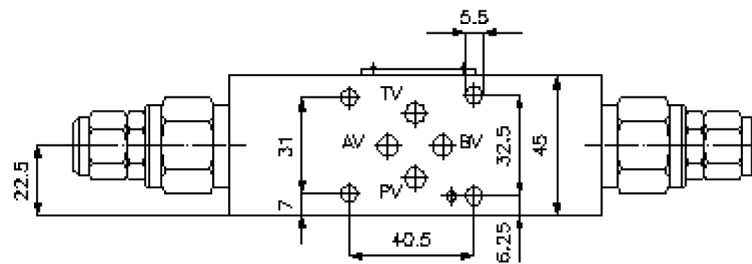
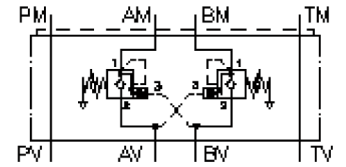
SBLZ-06.-A+BPGC/..



Motrac Hydraulik GmbH  
Siemensring 87 - D-47877 Willich  
fon +49-(0)2154-8162.0 - fax +49-(0)2154-8162.499  
e-mail info.miw@motracindustries.com  
internet www.motracindustries.com

IZ-520-255-00

(subject to change)



# counterbalance valve CETOP 3 ((sandwich plate) in A+B (vented spring))

SBLZ-06.-A+BPGC/..



Motrac Hydraulik GmbH  
Siemensring 87 - D-47877 Willich  
fon +49-(0)2154-8162.0 - fax +49-(0)2154-8162.499  
e-mail info.miw@motracindustries.com  
internet www.motracindustries.com

IZ-520-255-00

(subject to change)



## Ordering example:

SBLZ - 06A - A+B PG C / 50  
| | | | | |  
**A** **B** **C** **D** **E** **F**

## Model code:

- |   |  |
|---|--|
| <p><b>A</b> <b>design</b><br/>counter balance valve<br/>with mounting interface DIN 24340 form A<br/>sandwichplate design</p> <p><b>B</b> <b>size and material</b><br/>06A = aluminum (F37)<br/>06S = steel (9SMnPb28K resp. GGG-40)</p> <p><b>C</b> <b>function mode</b><br/>A+B = in A and B acting</p> | <p><b>D</b> <b>counter balance valve (pilot ratio 4:1)</b><br/>PG = CBPG-10.-.. (vented spring)</p> <p><b>E</b> <b>adjustment</b><br/>C = cap<br/>S = screw adjustment</p> <p><b>F</b> <b>pressure range (CBPG)</b><br/>15 = 7.0 - 105 bar<br/>30 = 21.0 - 210 bar<br/>50 = 35.0 - 350 bar</p> |
|---|--|

## Technical Data:

- nominal pressure:** 350 bar (S)  
250 bar (A)
- nominal flow:** 60 l/min
- weight:** 1.1 / 2.4 kg (A/S)
- counter balance valve:** CBPG-10.-.. see datasheet no. [CC-420-101-00](#)
- included:** DT-06 = sealing plate with vulcanized O-ring (Viton FPM)