

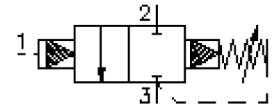
# 2 way, 2 position screw-in valve (pilot operated, adjustable)

PSXS-10.-.-0-0..

**CP-510-101-00**

(subject to change)

**BUCHER**  
hydraulics

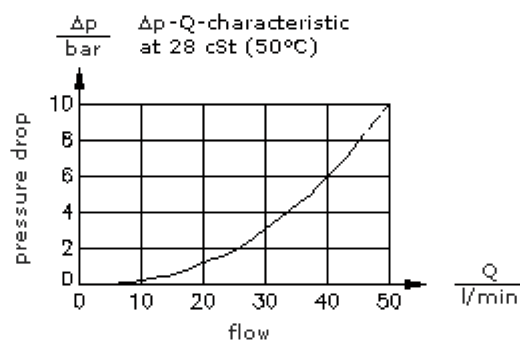
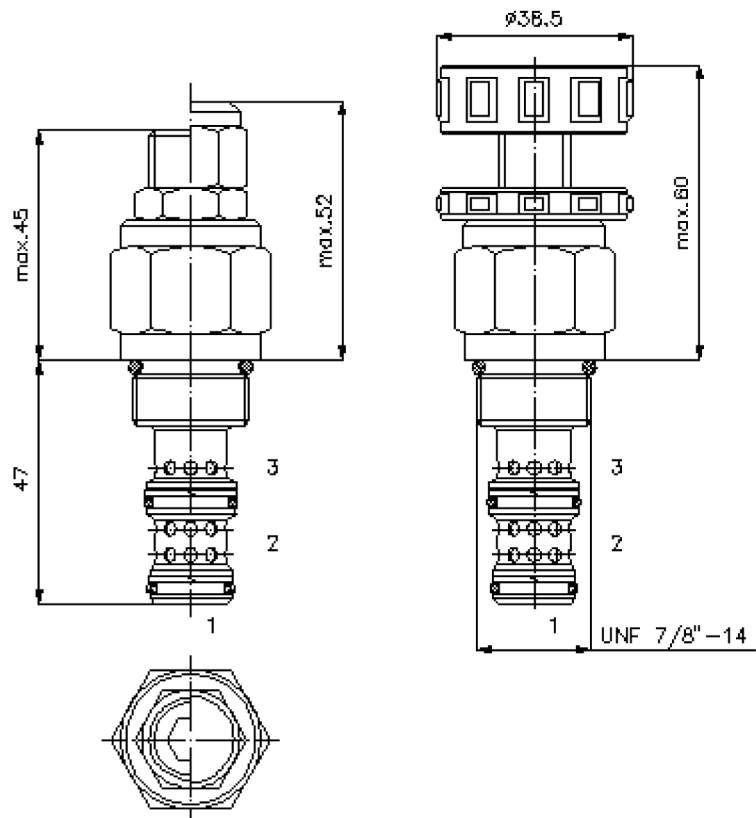


HEX 19 mm

HEX 27 mm  
(torque  
cartridge:  
48 - 54 Nm)

cavity:  
C-10-3  
see  
data-sheet no.:  
[IK-300-109-00](#)

HEW 8 mm



# 2 way, 2 position screw-in valve (pilot operated, adjustable)

PSXS-10.-.-0-..

**BUCHER**  
hydraulics



Motrac Hydraulik GmbH  
Siemensring 87 - D-47877 Willich  
fon +49-(0)2154-8162.0 - fax +49-(0)2154-8162.499  
e-mail info.mhw@motracindustries.com  
internet www.motracindustries

**CP-510-101-00**

(subject to change)

## Ordering example:

PSXS - 10N - C - 0 - 30  
|        |        |        |        |  
**A**    **B**    **C**    **D**    **E**

## Model code:

- A design**  
directional valve  
spool type valve  
external pilot  
pilot operated
- B size and sealing**  
10N = Buna (NBR)  
10V = Viton (FPM)
- C adjustment**  
S = screw adjustment  
C = cap  
K = handknob

- D construction**  
0 = screw-in valve
- E pressure range**  
15 = 3.4 - 105 bar  
30 = 3.4 - 210 bar  
50 = 3.4 - 350 bar

## Technical Data:

<b>nominal pressure:</b>	350 bar
<b>nominal flow:</b>	45 l/min
<b>weight:</b>	0.19 kg
<b>temperature range:</b>	-40°C to 120°C
<b>fluids:</b>	hydraulic oil as per DIN 51524 T1 (ISO TC 131)
<b>max. leakage:</b>	85 ccm/min at 28.5 cSt (50°C) and 85 % crack pressure
<b>seals:</b>	optional Buna (NBR) or Viton (FPM), as well as Teflon wascher (PTFE)
<b>crack pressure:</b>	adjustment will be determined at a flow of 0.25 l/min
<b>cavity:</b>	C-10-3 see datasheet no. <a href="#">IK-300-109-00</a>
<b>housing:</b>	3LH-10.-B.. see datasheet no. <a href="#">IH-300-000-00</a>
<b>seal kit:</b>	SP-CDS-10N-32 (NBR), SP-CDS-10V-32 (FPM)