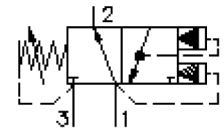


3 way, 2 position screw-in valve (with breaker (pilot operated, adjustable))

BSOS-10.-.-0-..

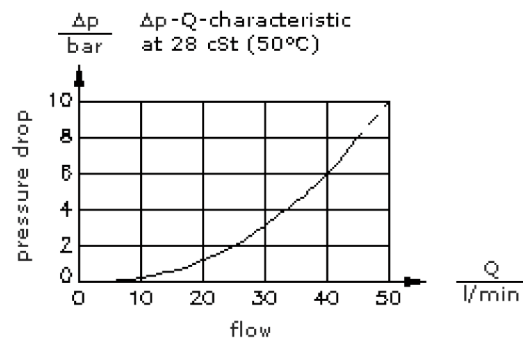
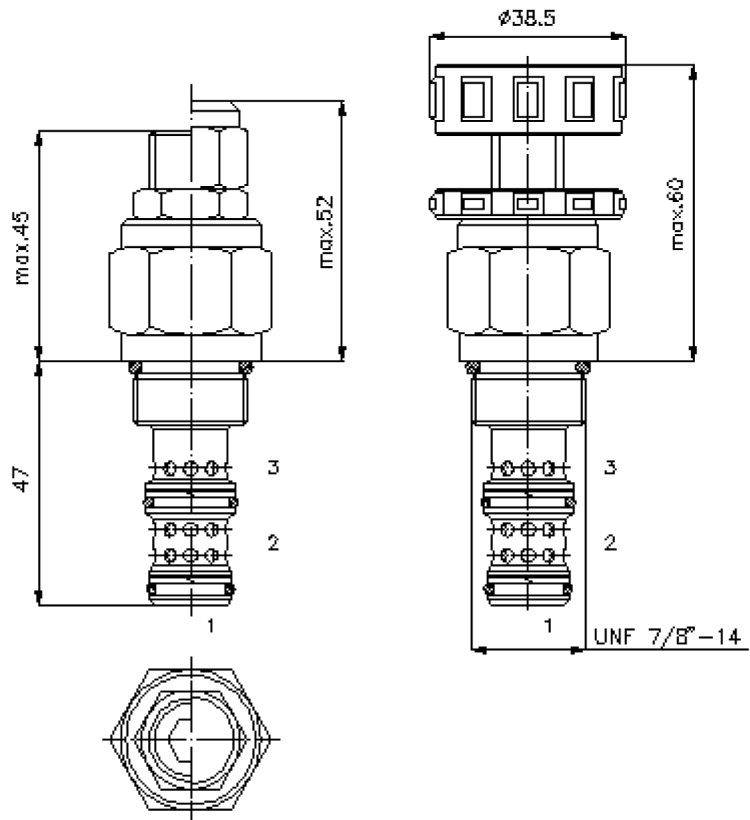


HEX 19 mm

HEX 27 mm
(torque
cartridge:
48 - 54 Nm)

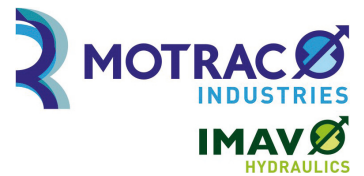
cavity:
C-10-3
see
data-sheet no.:
IK-300-109-00

HEW 8 mm



3 way, 2 position screw-in valve (with breaker (pilot operated, adjustable))

BSOS-10.-.-0-..



Motrac Hydraulik GmbH
Siemensring 87 - D-47877 Willich
fon +49-(0)2154-8162.0 - fax +49-(0)2154-8162.499
e-mail info.mhw@motracindustries.com
internet www.motracindustries.com

CP-450-101-00

(subject to change)

BUCHER
hydraulics

Ordering example:

BSOS - 10N - C - 0 - 30
| | | | |
A **B** **C** **D** **E**

Model code:

- | | |
|---|--|
| A design
directional valve
spool type valve
pilot operated
with self-lock
by-pass connection supply "1" with
consumer "2" | C adjustment
S = screw adjustment
C = cap
K = handknob |
| B size and sealing
10N = Buna (NBR)
10V = Viton (FPM) | D construction
0 = screw-in valve |
| | E pressure range
15 = 3.4 - 105 bar
30 = 3.4 - 210 bar
50 = 3.4 - 350 bar |

Technical Data:

note:	pilot oil (activated) 1->3
nominal pressure:	350 bar
nominal flow:	45 l/min
weight:	0.19 kg
temperature range:	-40°C to 120°C
fluids:	hydraulic oil as per DIN 51524 T1 (ISO TC 131)
max. leakage:	85 ccm/min at 28.5 cSt (50°C) and 85 % crack pressure
seals:	optional Buna (NBR) or Viton (FPM), as well as Teflon wascher (PTFE)
crack pressure:	adjustment will be determined at a flow of 0.25 l/min
cavity:	C-10-3 see datasheet no. IK-300-109-00
housing:	3LH-10.-B.. see datasheet no. IH-300-000-00
seal kit:	SP-CDS-10N-32 (NBR), SP-CDS-10V-32 (FPM)