

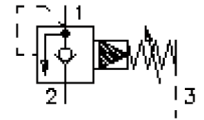
pressure sequence screw-in valve (pilot operated, adjustable)

PSVP-10.-.-0-..

CP-315-101-00

(subject to change)

BUCHER
hydraulics

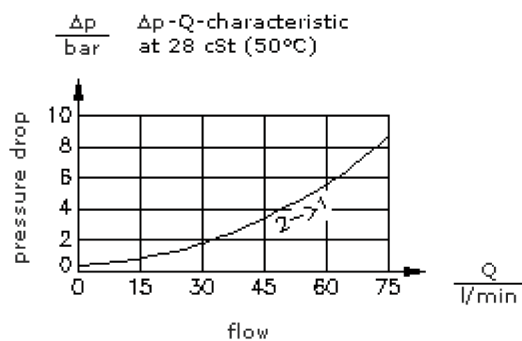
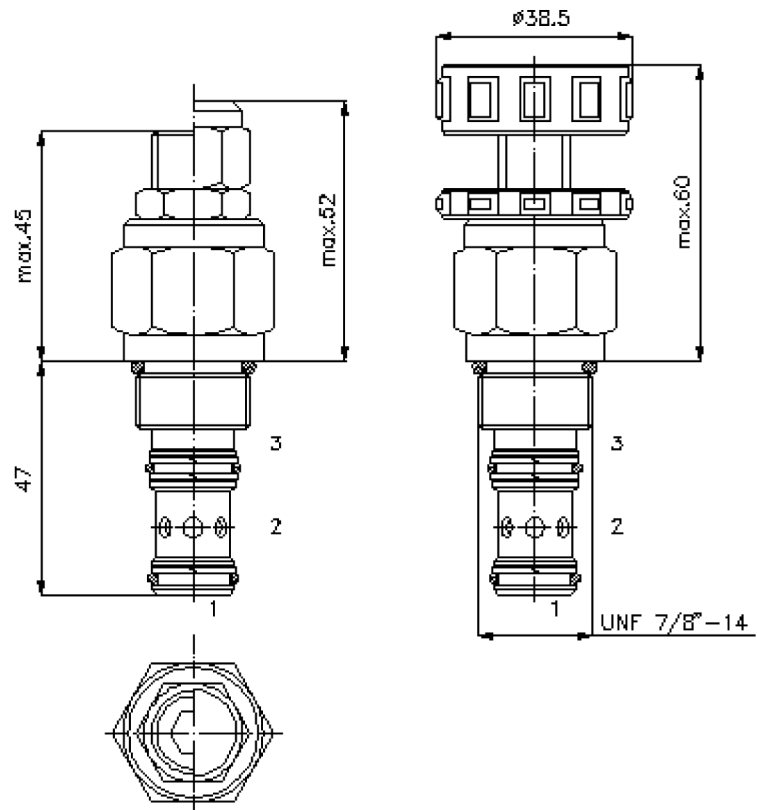


HEX 19 mm

HEX 27 mm
(torque
cartridge:
48 - 54 Nm)

cavity:
C-10-3S
see
data-sheet no.:
[IK-200-109-00](#)

HEW 8 mm



pressure sequence screw-in valve (pilot operated, adjustable)

PSVP-10.-.-0-..



Motrac Hydraulik GmbH
Siemensring 87 - D-47877 Willich
fon +49-(0)2154-8162.0 - fax +49-(0)2154-8162.499
e-mail info.miw@motracindustries.com
internet www.motracindustries.com

CP-315-101-00

(subject to change)

BUCHER
hydraulics

Ordering example:

PSVP - 10N - C - 0 30
| | | | |
A **B** **C** **D** **E**

Model code:

- | | |
|--|--|
| A design pressure-sequence-valve poppet type valve pilot operated | D construction 0 = screw-in valve |
| B size and sealing 10N = Buna (NBR) 10V = Viton (FPM) | E pressure range 15 = 3.4 - 105 bar 30 = 3.4 - 210 bar 50 = 3.4 - 350 bar |
| C adjustment S = screw adjustment C = cap K = handknob | |

Technical Data:

| | |
|-------------------------------------|--|
| nominal pressure: | 350 bar |
| nominal flow: | 75 l/min |
| weight: | 0.19 kg |
| temperature range: | -40°C to 120°C |
| fluids: | hydraulic oil as per DIN 51524 T1 (ISO TC 131) |
| max. leakage (de-energized): | 5 drops/min at 28.5 cSt (50°C) and 85% crack pressure |
| seals: | optional Buna (NBR) or Viton (FPM), as well as Teflon wascher (PTFE) |
| crack pressure: | adjustment will be determined at a flow of 0.25 l/min |
| cavity: | C-10-3S see datasheet no. IK-200-109-00 |
| housing: | 3SLH-10.-B.. see datasheet no. IH-200-000-00 |
| seal kit: | SP-CDS-10N-33S (NBR), SP-CDS-10V-33S (FPM) |