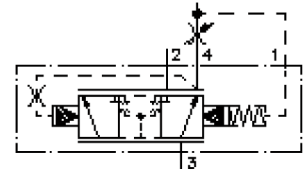


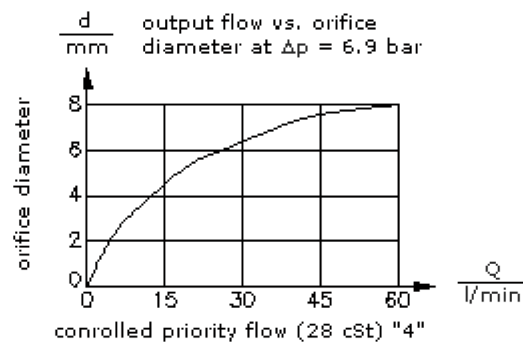
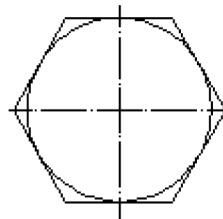
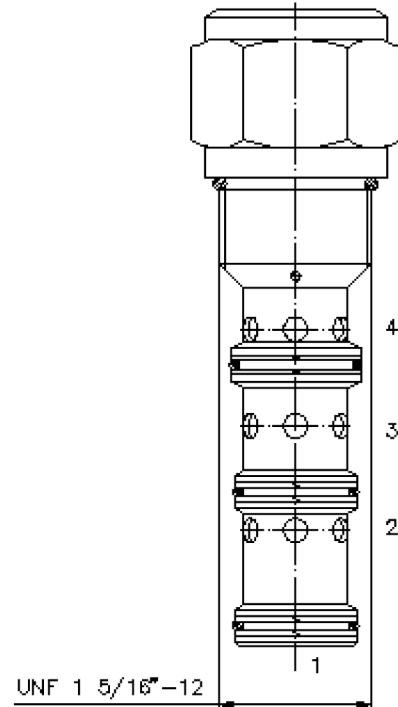
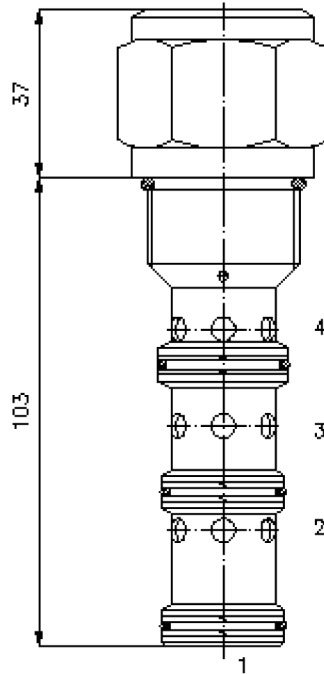
3 way, 2 position priority on demand valve

PODS-16.-F-0-...



HEX 1 1/2"
(torque
cartridge:
109 - 122 Nm)

cavity:
C-16-4
see
data-sheet no.:
IK-400-169-00



3 way, 2 position priority on demand valve

PODS-16.-F-0-...



Motrac Hydraulik GmbH
Siemensring 87 - D-47877 Willich
fon +49-(0)2154-8162.0 - fax +49-(0)2154-8162.499
e-mail info.mhw@motracindustries.com
internet www.motracindustries

CD-410-161-00

(subject to change)

BUCHER
hydraulics

Ordering example:

PODS - 16N - F - 0 - 050
| | | | |
A **B** **C** **D** **E**

Model code:

- | | |
|---|---|
| A design
priority valve
spool type valve | D construction
0 = screw-in valve |
| B size and sealing
16N = Buna (NBR)
16V = Viton (FPM) | E differential pressure
050 = 3.4 bar
100 = 6.9 bar
150 = 10.3 bar |
| C adjustment
F = fixed | |

Technical Data:

nominal pressure:	350 bar
nominal flow:	140 l/min
weight:	0.59 kg
temperature range:	-40°C to 120°C
fluids:	hydraulic oil as per DIN 51524 T1 (ISO TC 131)
max. leakage:	85 ccm/min at 22 cSt (50°C)
seals:	optional Buna (NBR) or Viton (FPM), as well as Teflon wascher (PTFE)
cavity:	C-16-4 see datasheet no. IK-400-169-00
housing:	4LH-16.-B.. see datasheet no. IH-400-000-00
seal kit:	SP-CDS-16N-46 (NBR), SP-CDS-16V-46 (FPM)