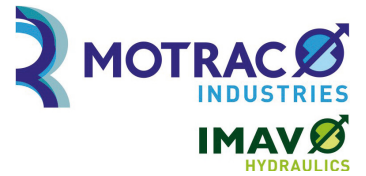


3 way, 2 position priority on demand valve

PODS-08.-F-0-...

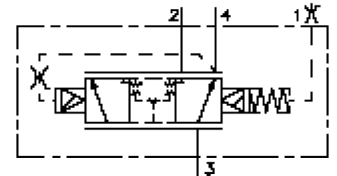
BUCHER
hydraulics



Motrac Hydraulik GmbH
Siemensring 87 - D-47877 Willich
fon +49-(0)2154-8162.0 - fax +49-(0)2154-8162.499
e-mail info.mhw@motracindustries.com
internet www.motracindustries.com

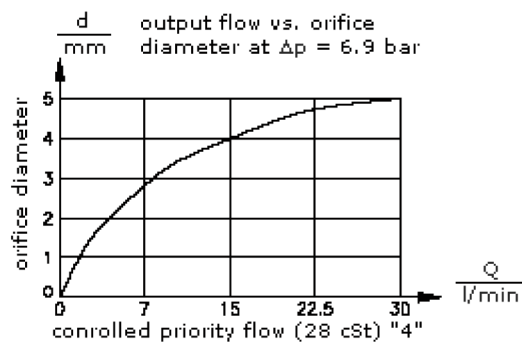
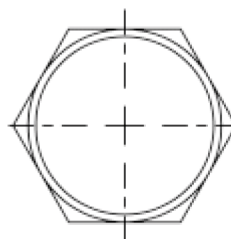
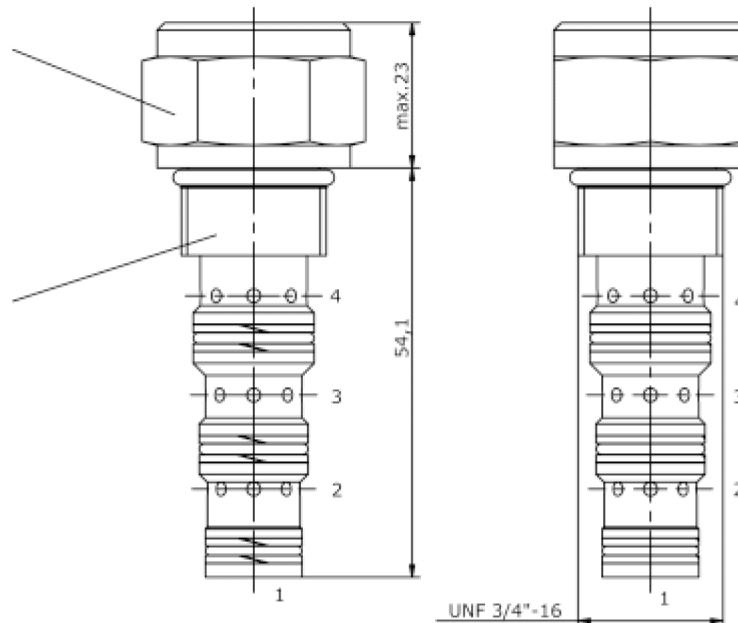
CD-410-081-00

(subject to change)



HEX 1"
(torque
cartridge:
48 - 54 Nm)

cavity:
C-08-4
see
data-sheet no.:
[IK-400-089-00](#)



3 way, 2 position priority on demand valve

PODS-08.-F-0-...



Motrac Hydraulik GmbH
Siemensring 87 - D-47877 Willich
fon +49-(0)2154-8162.0 - fax +49-(0)2154-8162.499
e-mail info.mhw@motracindustries.com
internet www.motracindustries

CD-410-081-00

(subject to change)

BUCHER
hydraulics

Ordering example:

PODS - 08N - F - 0 050
| | | | |
A **B** **C** **D** **E**

Model code:

- | | |
|---|---|
| A design
priority valve
spool type valve | D construction
0 = screw-in valve |
| B size and sealing
08N = Buna (NBR)
08V = Viton (FPM) | E differential pressure
050 = 3.4 bar
100 = 6.9 bar
150 = 10.3 bar |
| C adjustment
F = fixed | |

Technical Data:

nominal pressure:	350 bar
nominal flow:	30 l/min
weight:	0.12 kg
temperature range:	-40°C to 120°C
fluids:	hydraulic oil as per DIN 51524 T1 (ISO TC 131)
max. leakage:	85 ccm/min at 22 cSt (50°C)
seals:	optional Buna (NBR) or Viton (FPM), as well as Teflon wascher (PTFE)
cavity:	C-08-4 see datasheet no. IK-400-089-00
housing:	4LH-08.-B.. see datasheet no. IH-400-000-00
seal kit:	SP-CDS-08N-46 (NBR), SP-CDS-08V-46 (FPM)