

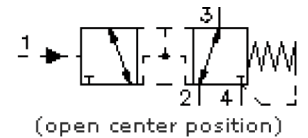
3 way, 2 position screw-in valve piston-type "E" (negative)

DCPS-10.-E-.-0-...

CD-350-101-00

(subject to change)

BUCHER
hydraulics

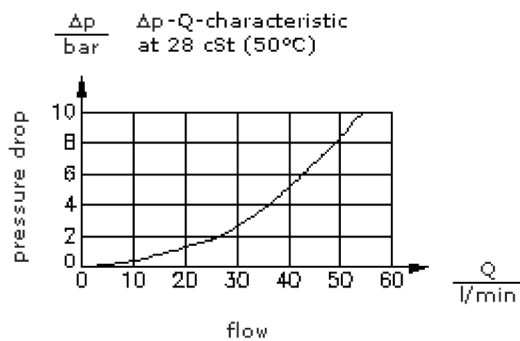
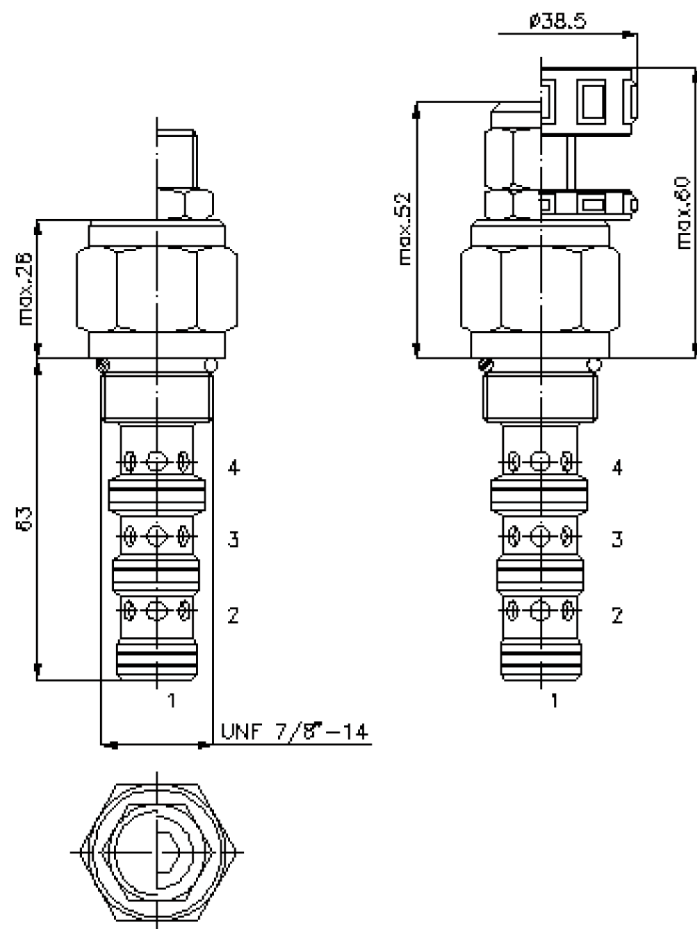


HEX 19 mm

HEX 27 mm
(torque
cartridge:
48 - 54 Nm)

cavity:
C-10-4
see
data-sheet no.:
[IK-400-109-00](#)

HEW 8 mm



3 way, 2 position screw-in valve piston-type "E" (negative)

DCPS-10.-E-.-0-...

BUCHER
hydraulics



Motrac Hydraulik GmbH
Siemensring 87 - D-47877 Willich
fon +49-(0)2154-8162.0 - fax +49-(0)2154-8162.499
e-mail info.mhw@motracindustries.com
internet www.motracindustries.com

CD-350-101-00

(subject to change)

Ordering example:

DCPS - 10N - E - C - 0 - 200
| | | | | |
A **B** **C** **D** **E** **F**

Model code:

- | | |
|--|---|
| <p>A design
directional valve
hydraulic release
spring centered
spool type valve</p> <p>B size and sealing
10N = Buna (NBR)
10V = Viton (FPM)</p> <p>C spool type
E = open center position</p> <p>D adjustment
F = fixed
S = screw adjustment
C = cap
K = handknob</p> | <p>E construction
0 = screw-in valve</p> <p>F pilot pressure
070 = 4.8 bar ("F" only)
100 = 6.9 bar ("F" only)
200 = 5.2 -13.8 bar ("S" only)</p> |
|--|---|

Technical Data:

nominal pressure:	350 bar
nominal flow:	45 l/min
weight:	0.21 kg
temperature range:	-40°C to 120°C
fluids:	hydraulic oil as per DIN 51524 T1 (ISO TC 131)
max. leakage:	85 ccm/min at 22 cSt (50°C)
seals:	optional Buna (NBR) or Viton (FPM), as well as Teflon wascher (PTFE)
cavity:	C-10-4 see datasheet no. <u>IK-400-109-00</u> Review note!
housing:	4LH-10.-B.. see datasheet no. <u>IH-400-000-00</u>
seal kit:	SP-CDS-10N-13 (NBR), SP-CDS-10V-13 (FPM)